

FIGURE 3

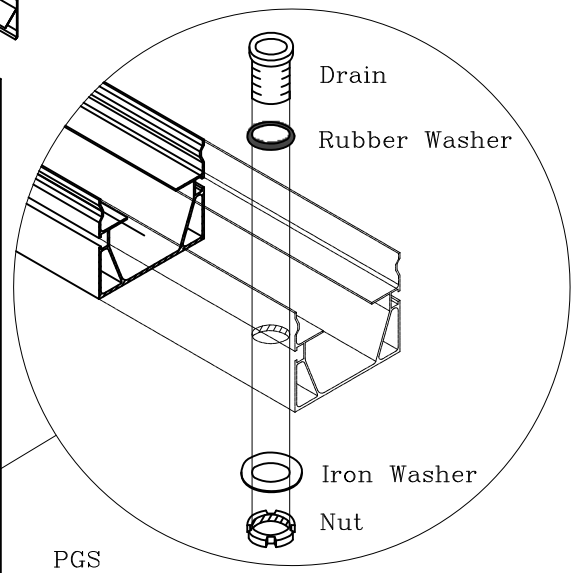
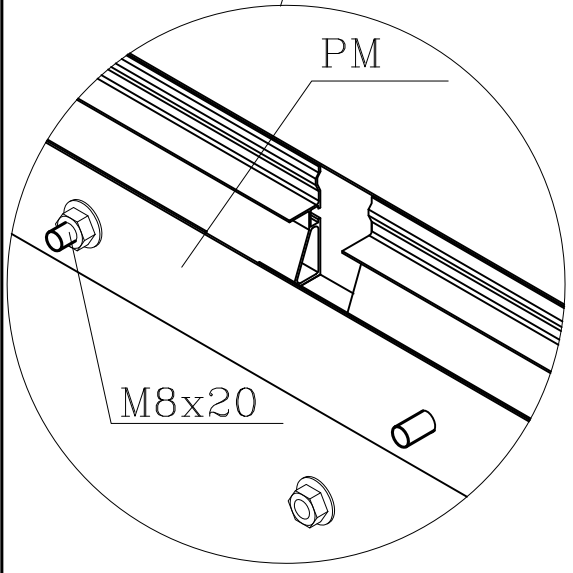

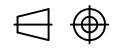


FIGURE 2

FIGURE 1

Dimension: cm		Name	Date	 Tel : 88333758~9 Fax : 88023071 P.O.Box : 13185-441 Email: info@marsus.ir www.marsus.ir
Page : 1 / 5	Design	Forghani	95/2/28	
	Draw	Forghani	95/2/28	
	Check			



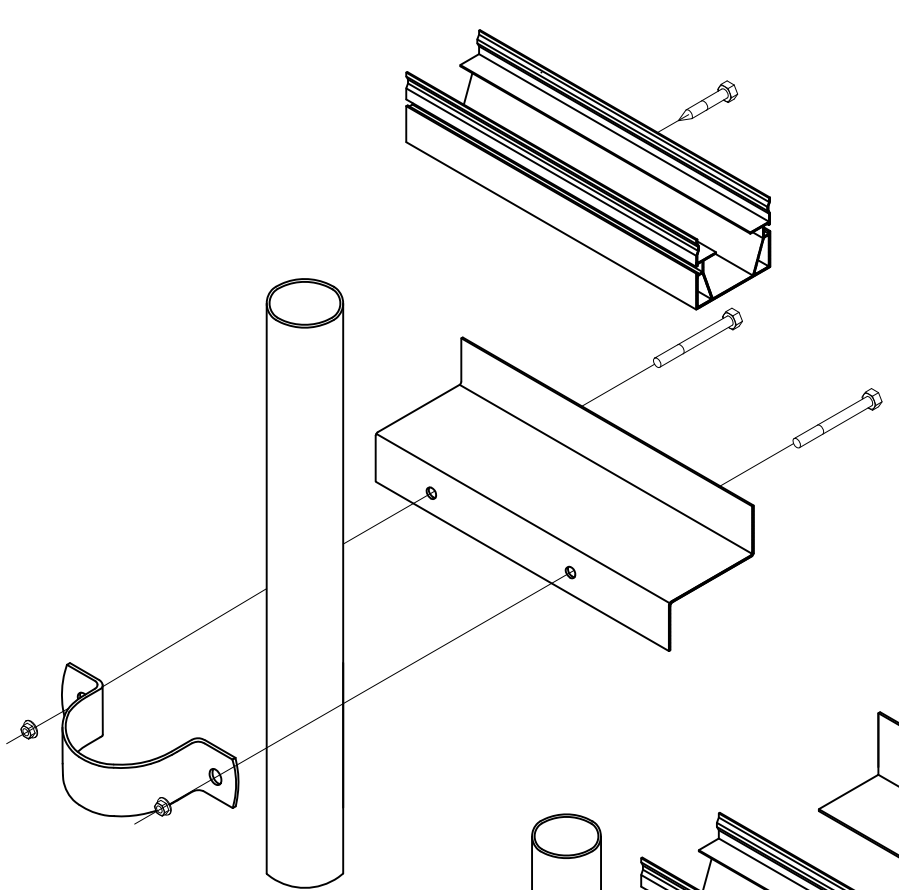


FIGURE 4

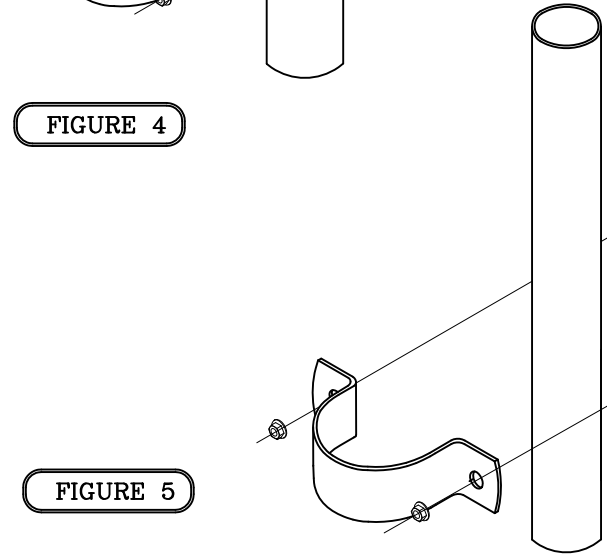


FIGURE 5

Installation type

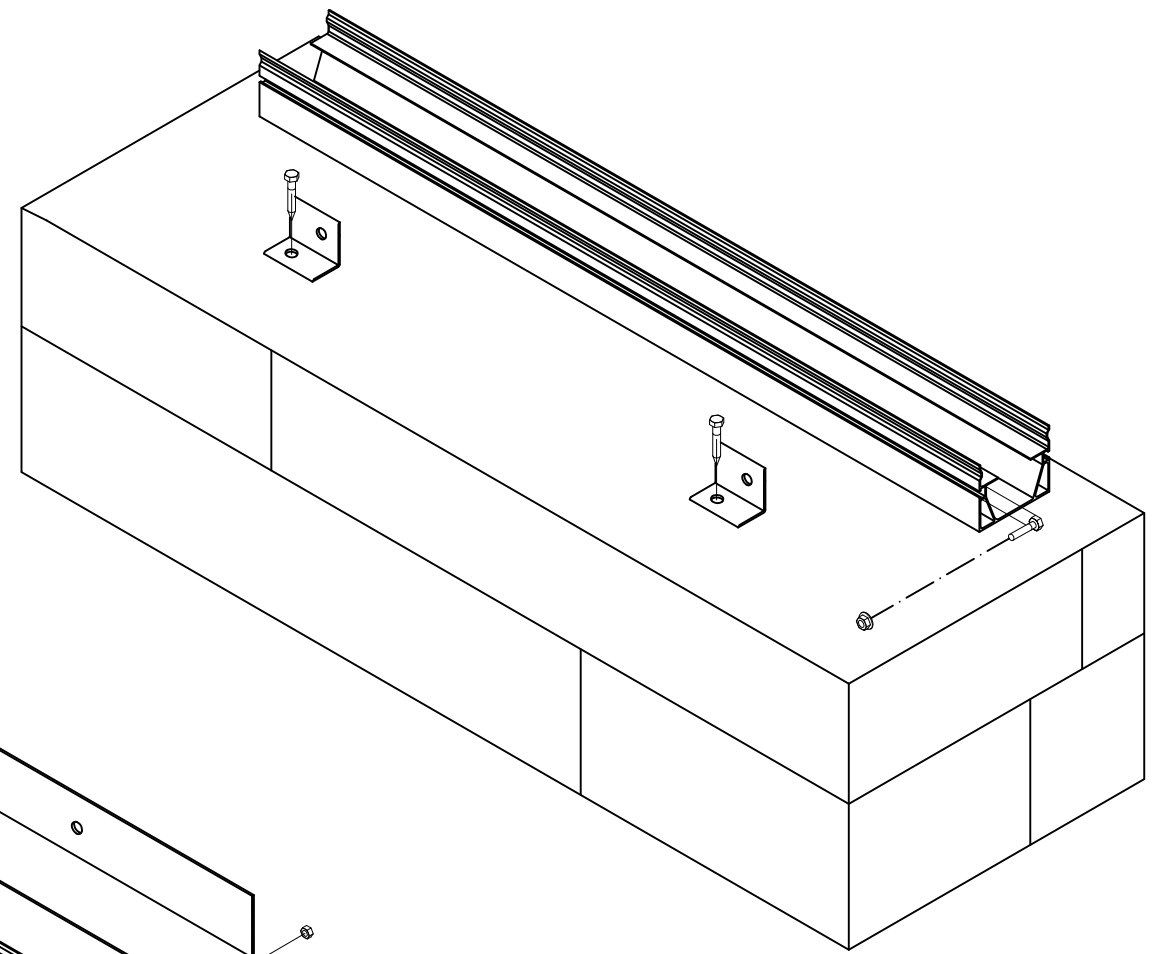

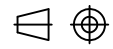
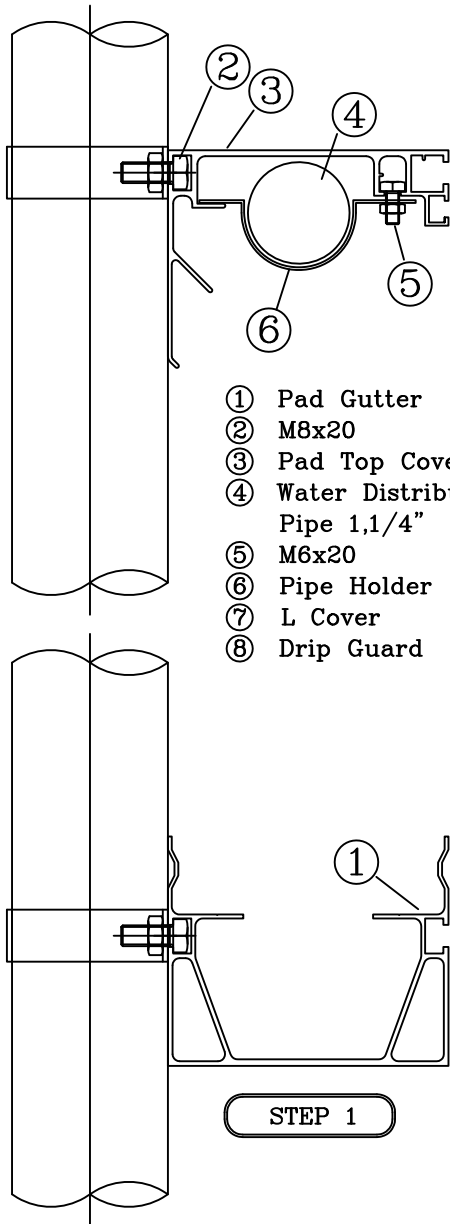


FIGURE 6

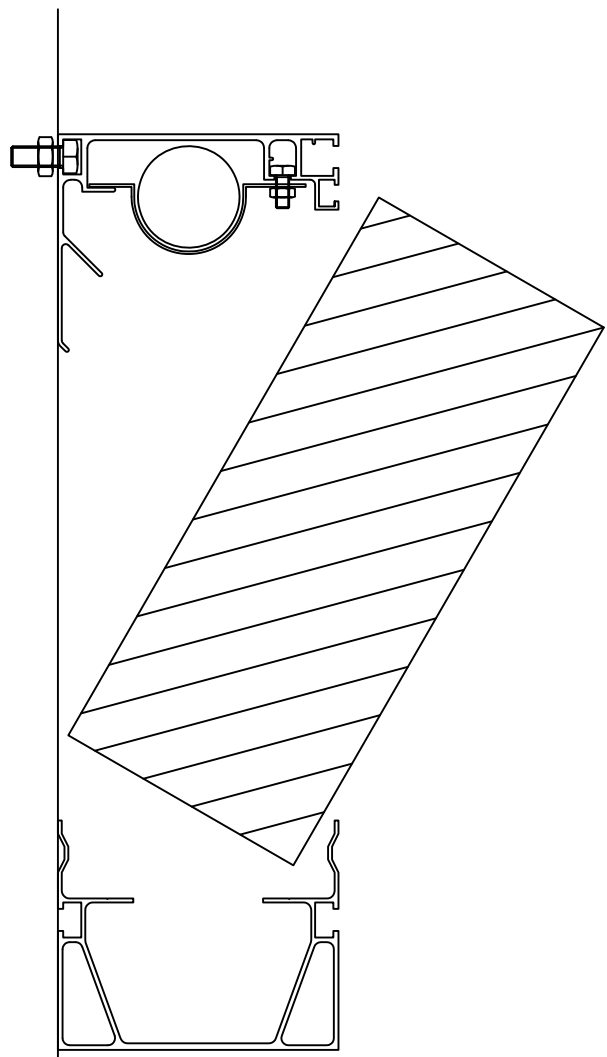
Dimension: cm		Name	Date	 Tel : 88333758~9 Fax : 88023071 P.O.Box : 13185-441 Email: info@marsus.ir www.marsus.ir
Page : 2 / 5		Design	Forghani 95/2/28	
		Draw	Forghani 95/2/28	
		Check		



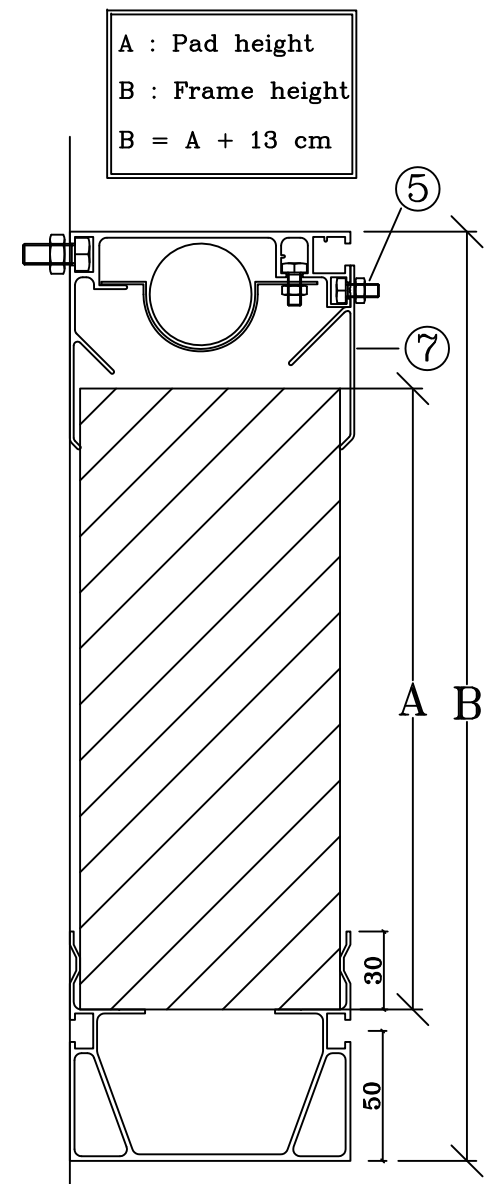


- ① Pad Gutter
- ② M8x20
- ③ Pad Top Cover
- ④ Water Distribution Pipe 1,1/4"
- ⑤ M6x20
- ⑥ Pipe Holder
- ⑦ L Cover
- ⑧ Drip Guard

STEP 1

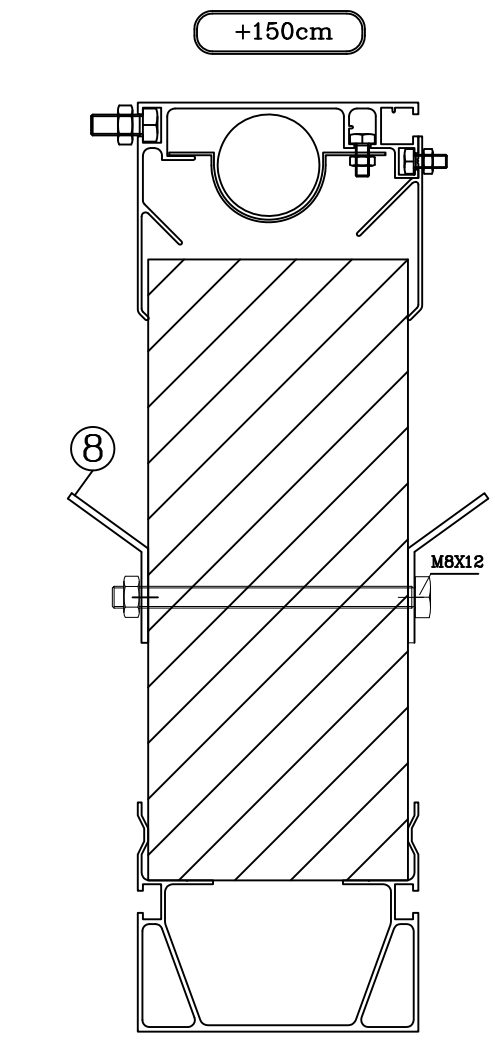


STEP 2



A : Pad height
 B : Frame height
 B = A + 13 cm

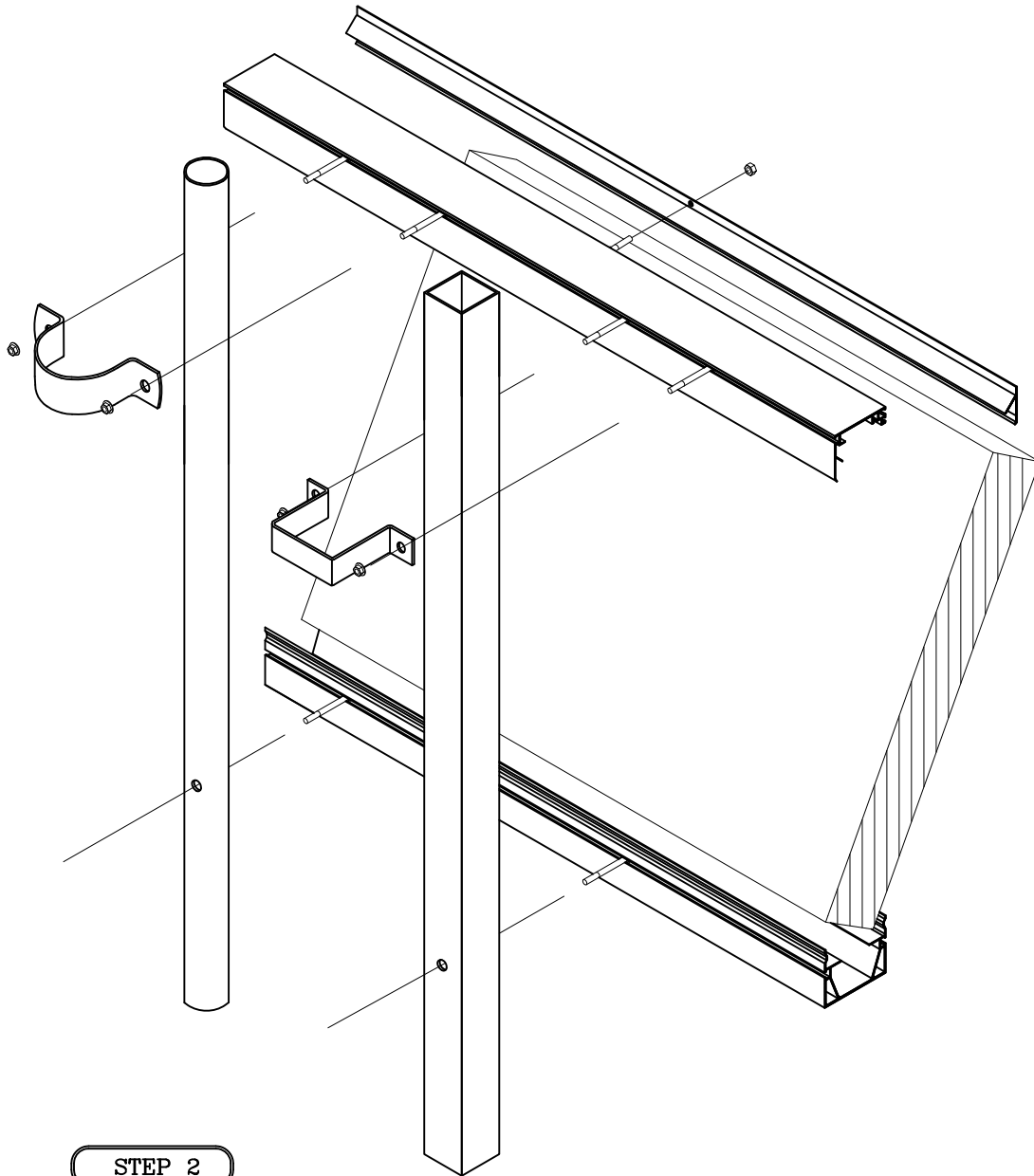
STEP 3



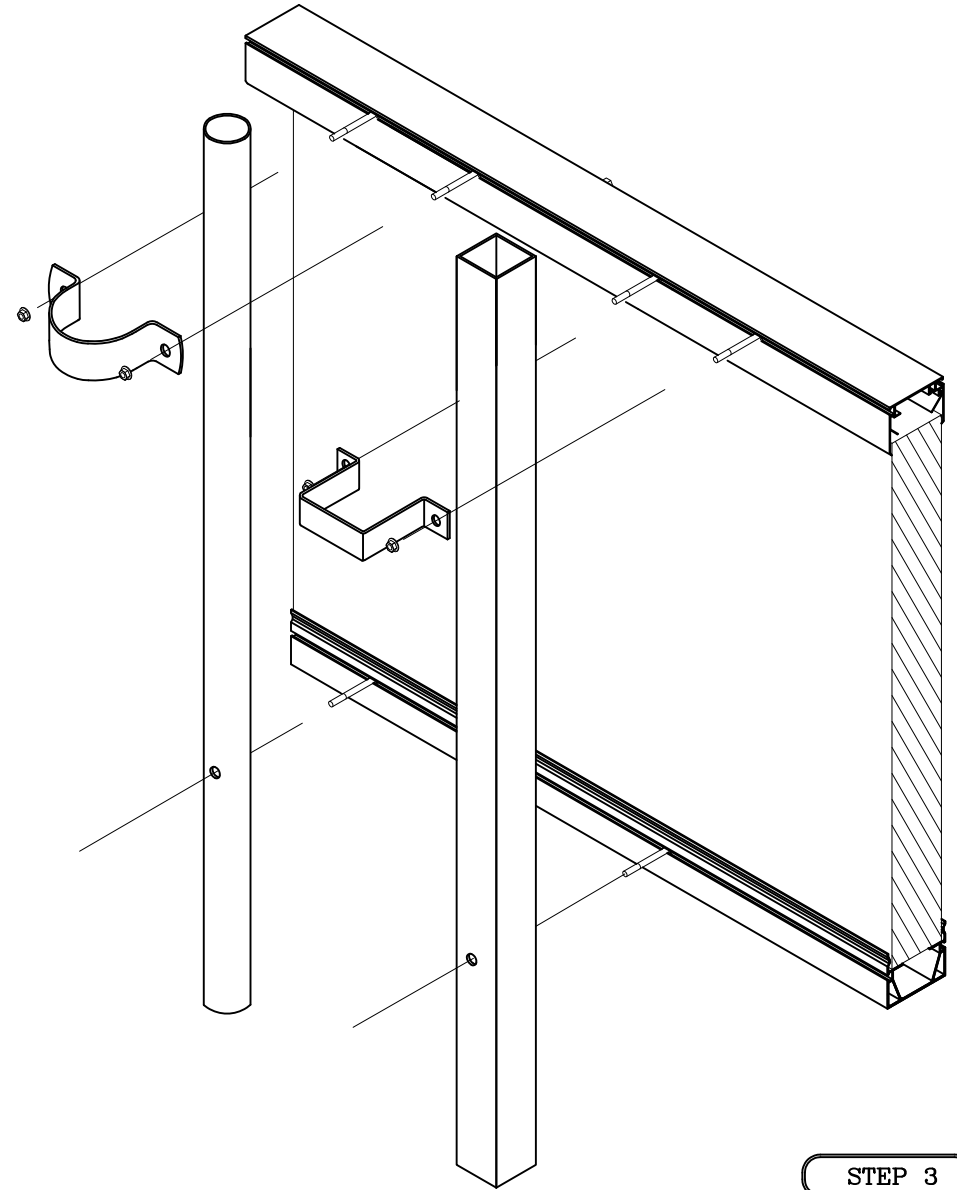
STEP 4

Frame detail


Dimension: cm		Name	Date	 Tel : 88333758~9 Fax : 88023071 P.O.Box : 13185-441 Email: info@marsus.ir www.marsus.ir
Page : 3 / 5	Design	Forghani	94/2/28	
	Draw	Forghani	94/2/28	
	Check			



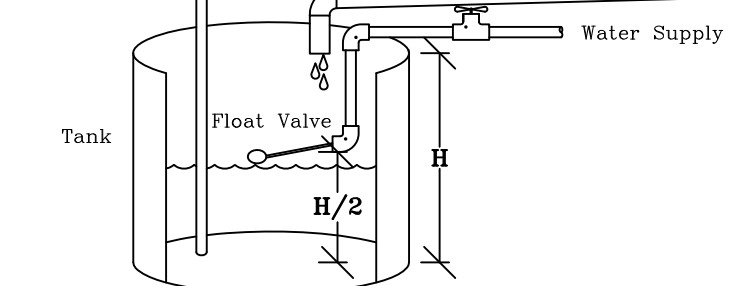
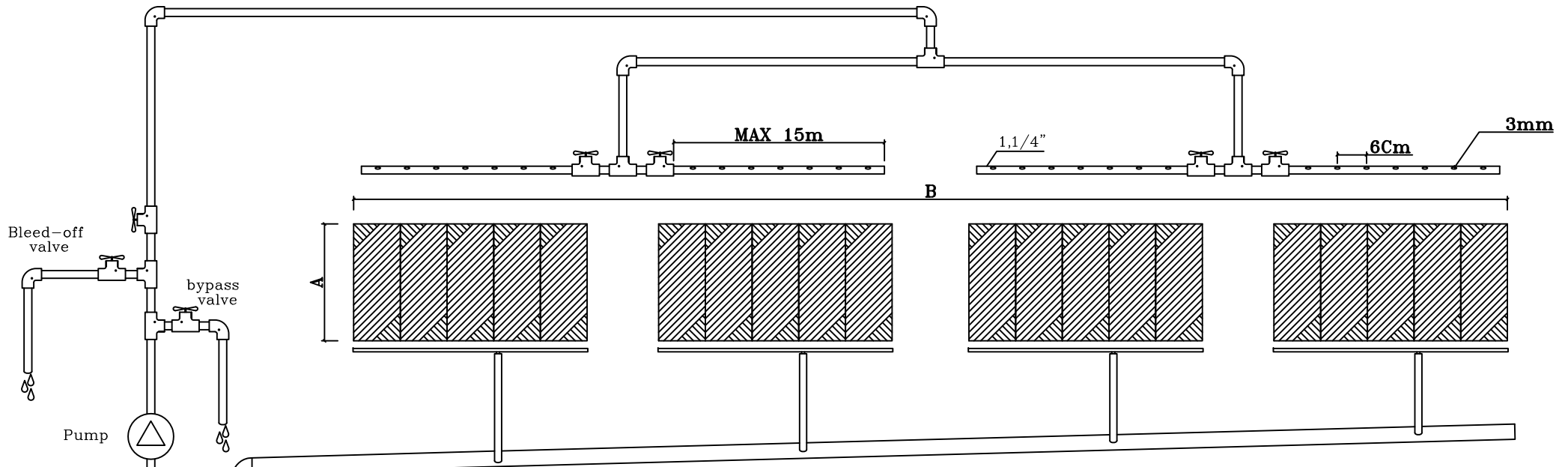
STEP 2



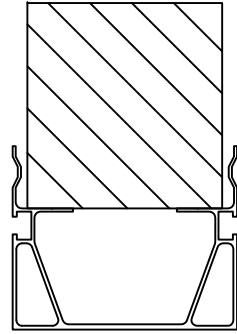
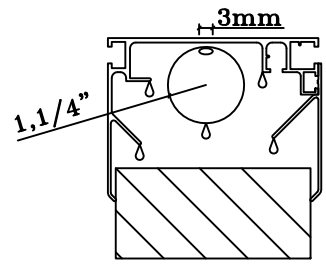
STEP 3

Dimension: cm		Name	Date	 Tel : 88333758~9 Fax : 88023071 P.O.Box : 13185-441 Email: info@marsus.ir www.marsus.ir
Page : 4 / 5	Design	Forghani	95/2/28	
	Draw	Forghani	95/2/28	
	Check			






PIPING



Pad Thickness	Pump	Tank
10 Cm	Bx6.2 Liter/min	AxBx30.5 Liter
15 Cm	Bx9.3 Liter/min	AxBx40.7 Liter

A= Pad Wall High
B= Pad Wall Width

Dimension: cm		Name	Date	 Tel : 88333758~9 Fax : 88023071 P.O.Box : 13185-441 Email: info@marsus.ir www.marsus.ir
Page : 5 / 5	Design	Forghani	95/2/28	
	Draw	Forghani	95/2/28	
	Check			