

Itemref	Quantity	Title/Name, designation, material, dimension etc	Article No./Reference		
Designed by Forghani	Checked by Rajabizadeh	Approved by - date Forghani - 93/9/2	Filename 94-1	Date 94/3/3	Scale 1:1

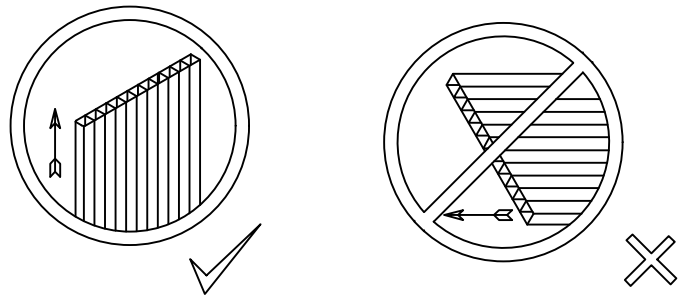
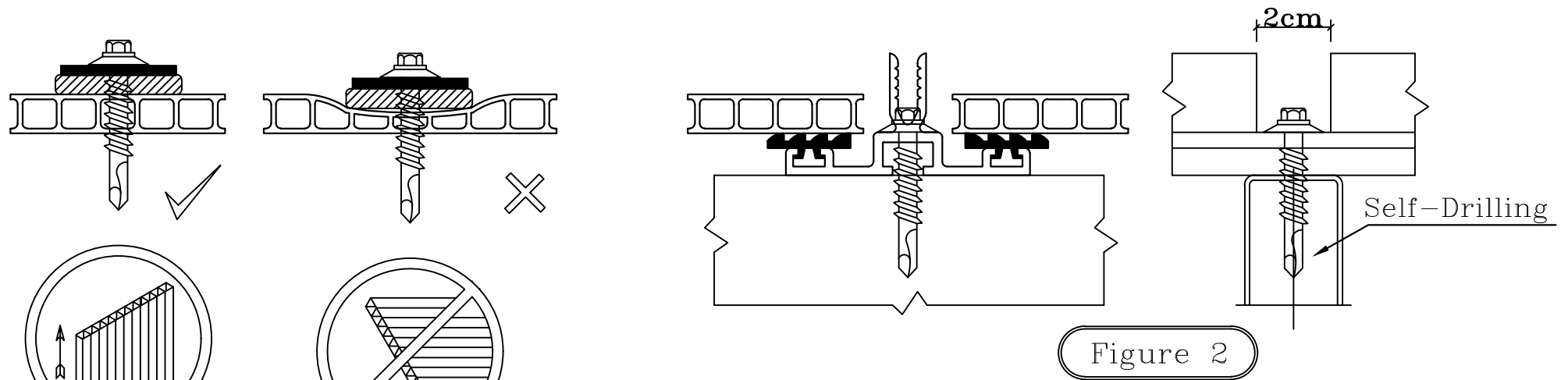
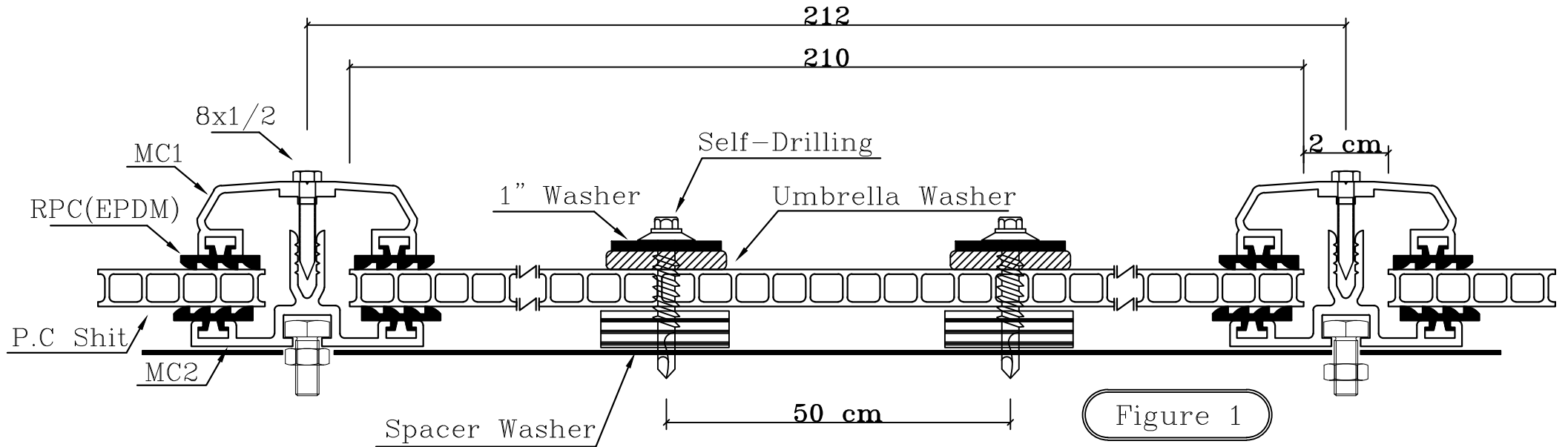


Tel: (+9821) 88333758,9    www.marsus.ir  
Fax: (+9821) 88023071    Email: info@marsus.ir

Aluminium profile / PC

101

Edition 1    Sheet 1/9



Itemref	Quantity	Title/Name, designation, material, dimension etc	Article No./Reference		
Designed by Forghani	Checked by rajabizadeh	Approved by - date Forghani - 94/3/3	Filename 94-1	Date 94/3/3	Scale 1: x

**Marsus com**

Tel: (+9821) 88333758,9 www.marsus.ir  
 Fax: (+9821) 88023071 Email: info@marsus.ir

PC Instalation (Profile)

701

Edition 1 Sheet 2/9

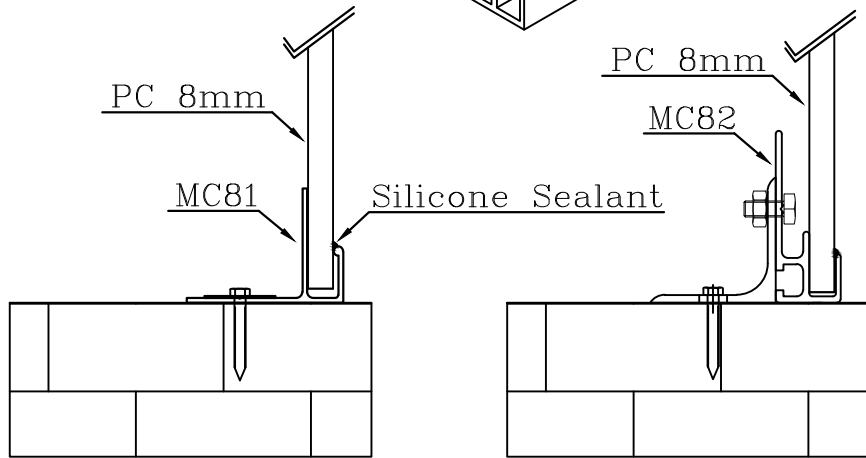
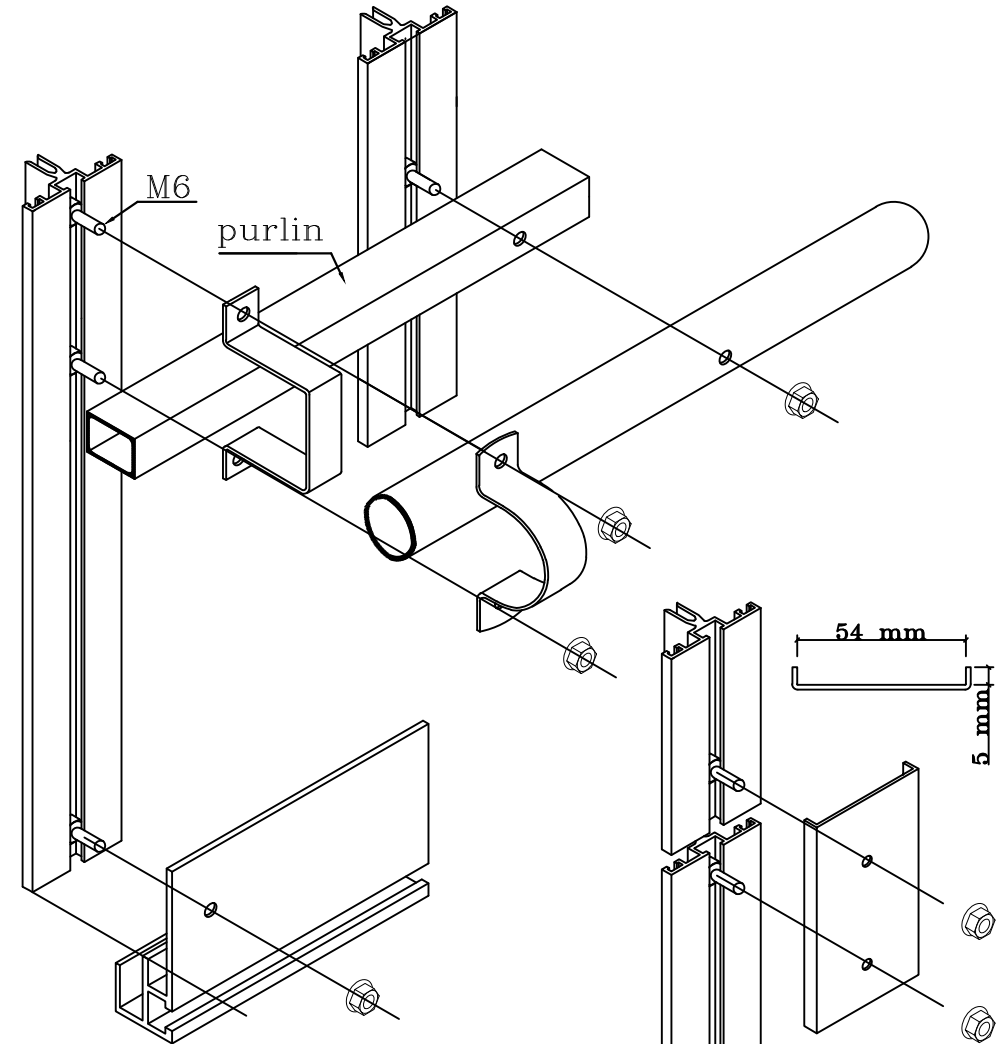
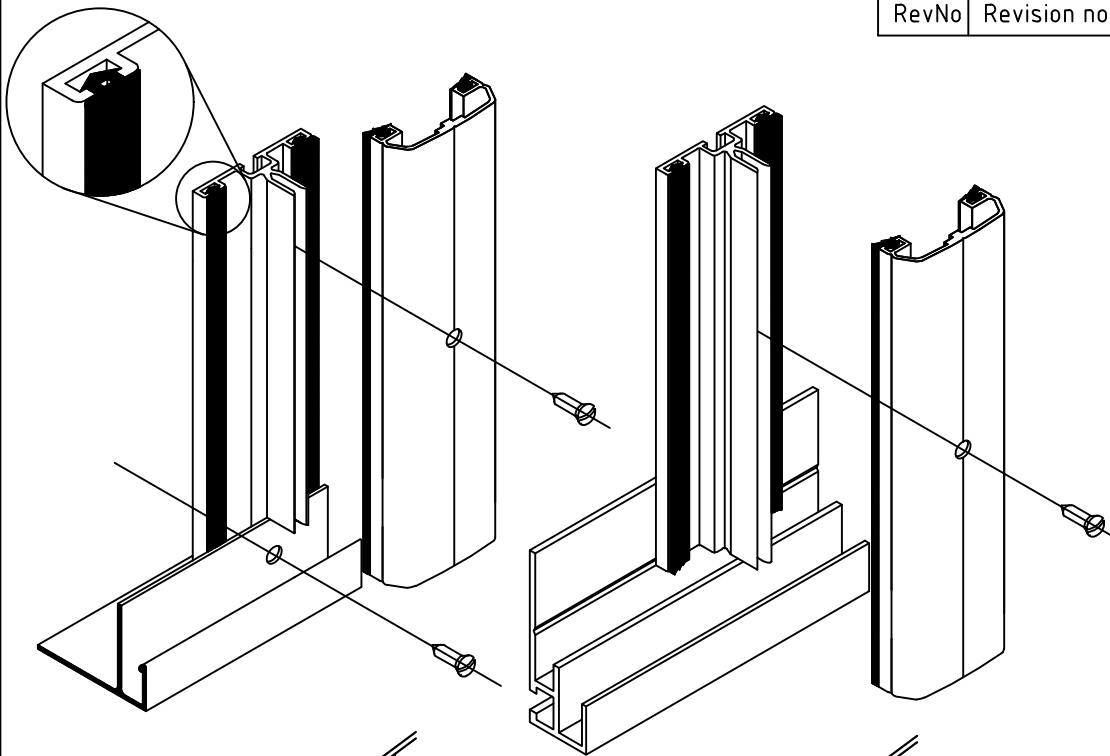



Figure 3

Figure 4

Figure 5

Figure 6

Itemref	Quantity	Title/Name, designation, material, dimension etc	Article No./Reference		
Designed by Forghani	Checked by rajabizadeh	Approved by - date Forghani - 94/3/3	Filename 94-1	Date 94/3/3	Scale 1: x
 <p>Tel:(+9821)88333758,9 Fax:(+9821) 88023071</p> <p>www.marsus.ir Email:info@marsus.ir</p>		PC Instalation (Profile)			
		701	Edition 1	Sheet 3/9	

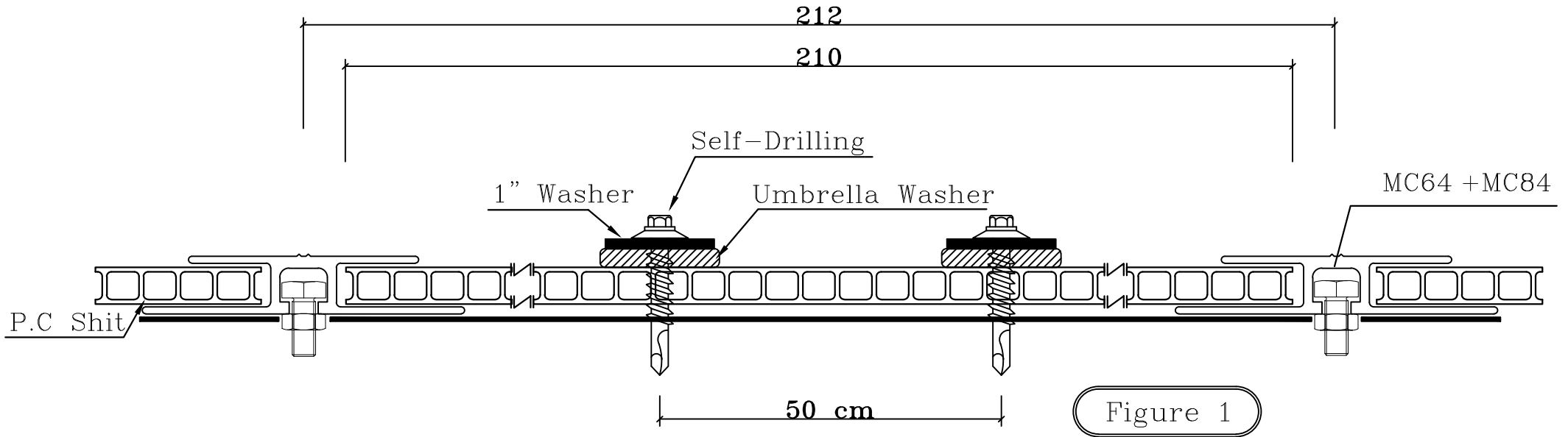


Figure 1

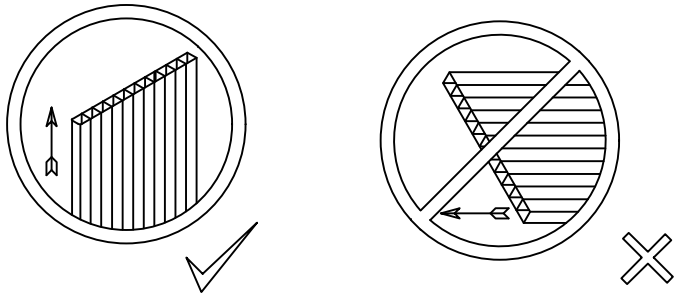
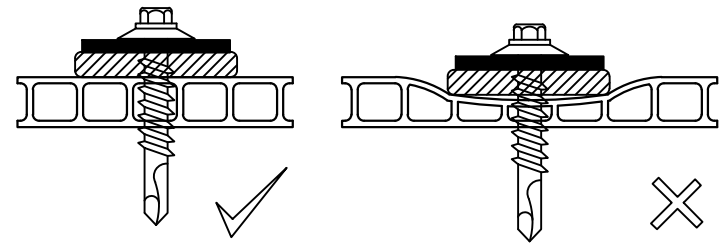

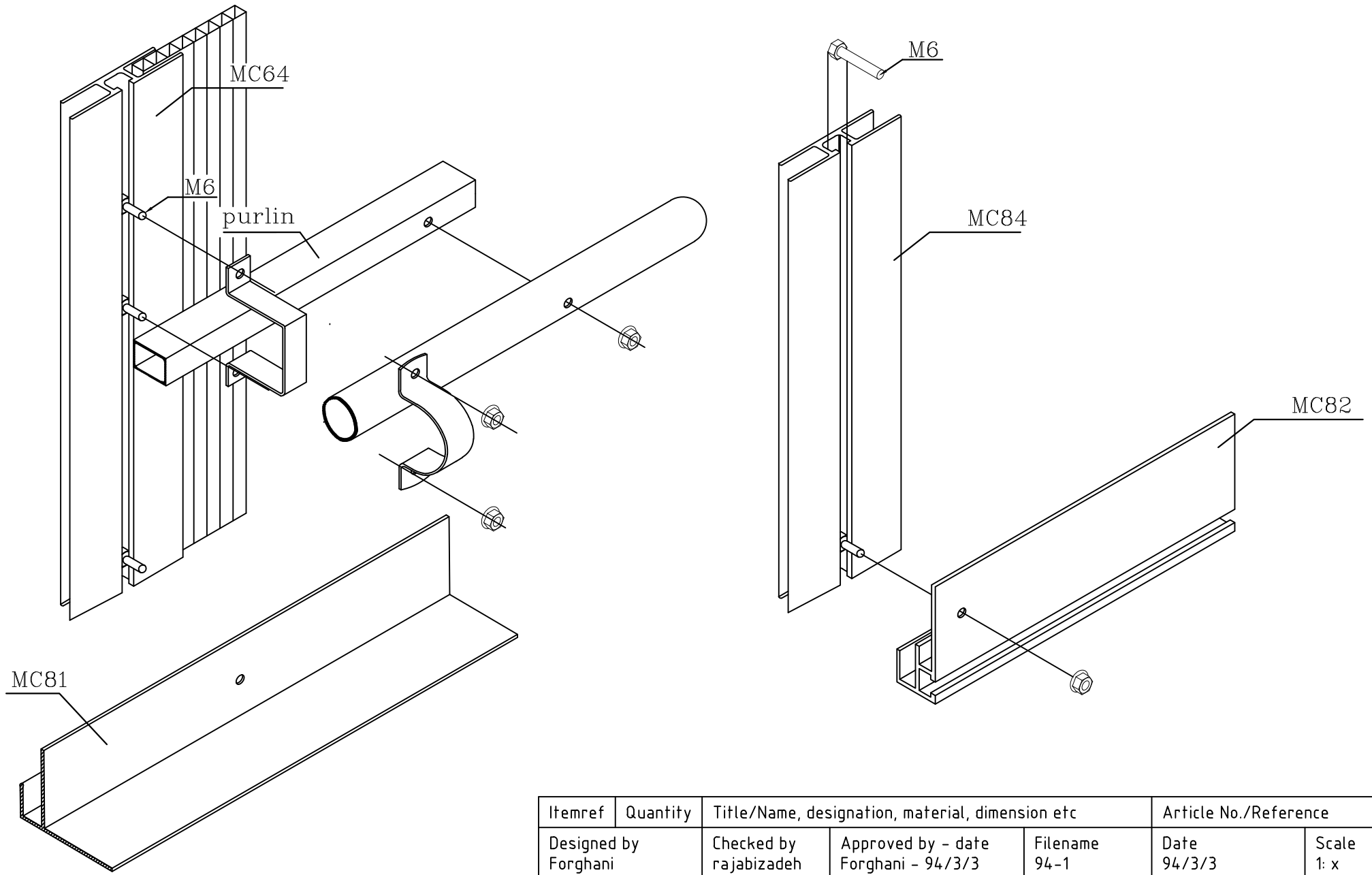


Figure 7



Itemref	Quantity	Title/Name, designation, material, dimension etc	Article No./Reference		
Designed by Forghani	Checked by rajabizadeh	Approved by - date Forghani - 94/3/3	Filename 94-1	Date 94/3/3	Scale 1: x
 Tel:(+9821)88333758,9 www.marsus.ir Fax:(+9821) 88023071 Email:info@marsus.ir			PC Instalation (Profile)		
			701	Edition 1	Sheet 4/9



Itemref	Quantity	Title/Name, designation, material, dimension etc	Article No./Reference		
Designed by Forghani	Checked by rajabizadeh	Approved by - date Forghani - 94/3/3	Filename 94-1	Date 94/3/3	Scale 1: x

**marsus.com**

Tel:(+9821)88333758,9  
Fax:(+9821) 88023071

www.marsus.ir  
Email:info@marsus.ir

PC Instalation (Profile)

701

Edition  
1

Sheet  
5/9

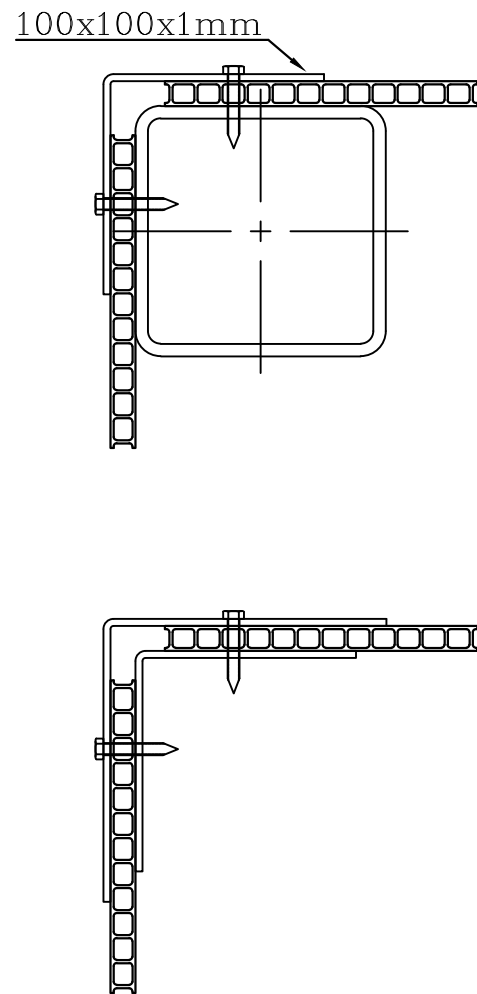


Figure 8

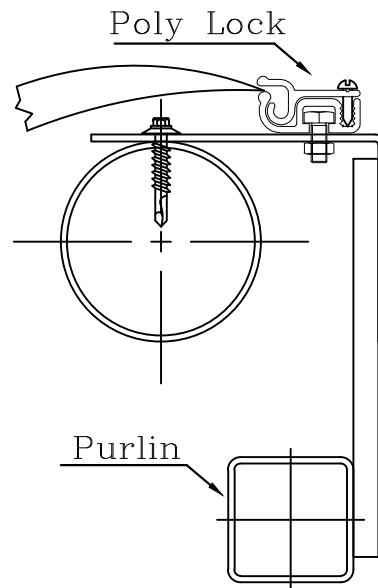
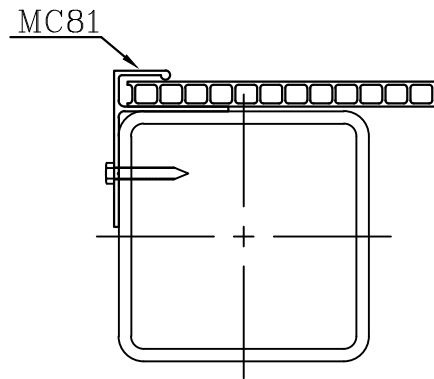
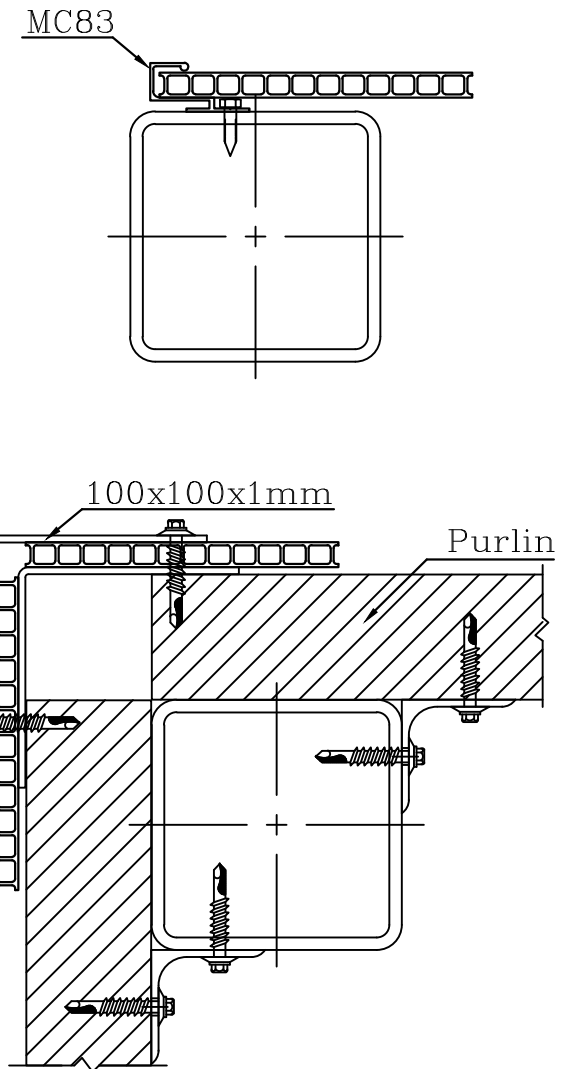



Figure 9



Itemref	Quantity	Title/Name, designation, material, dimension etc	Article No./Reference		
Designed by Forghani	Checked by rajabizadeh	Approved by - date Forghani - 94/3/3	Filename 94-1	Date 94/3/3	Scale 1: x
 Tel:(+9821)88333758,9 Fax:(+9821) 88023071		PC Instalation (Profile)		Edition 1	Sheet 6/9
		701			

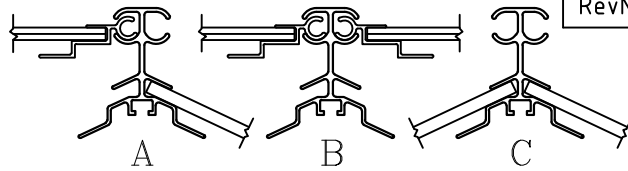


Figure 10

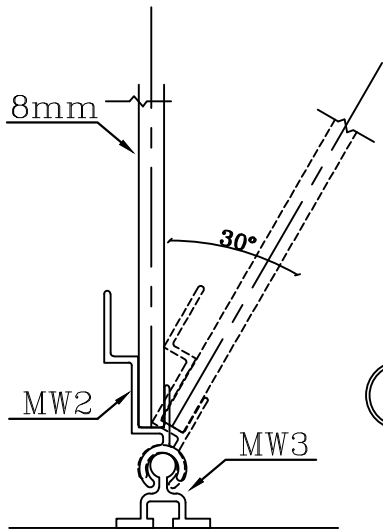


Figure 11

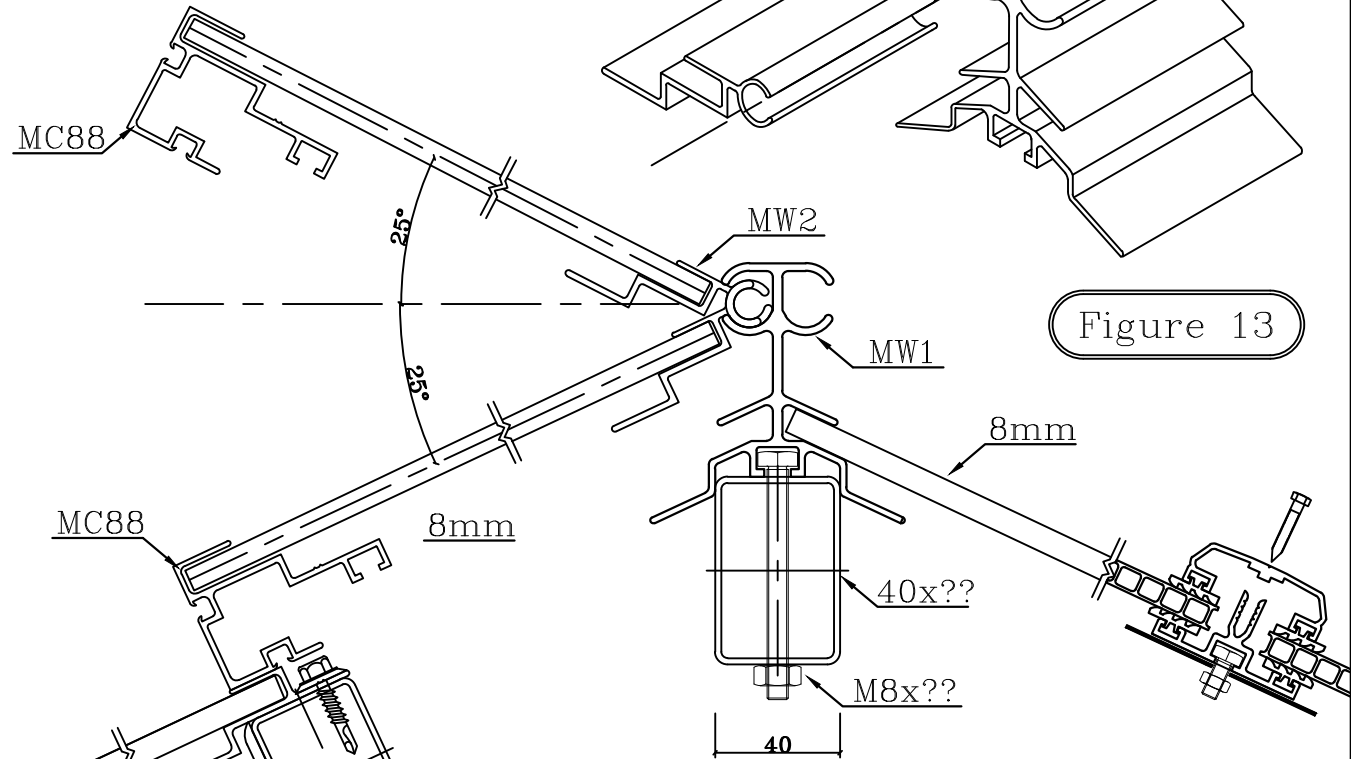


Figure 13

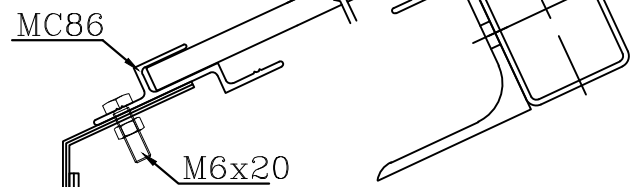
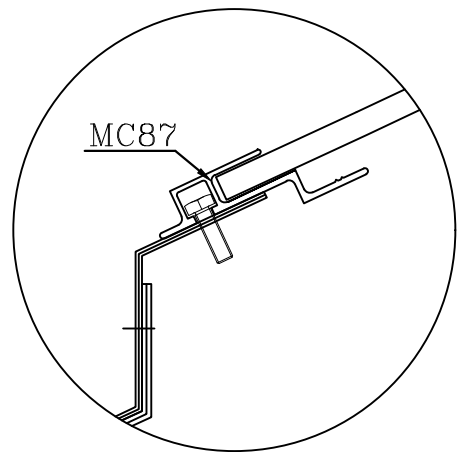


Figure 11

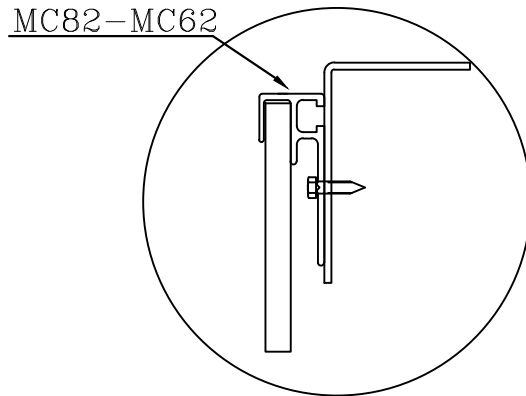
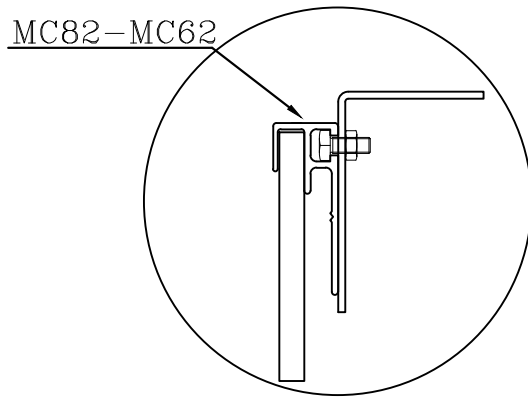
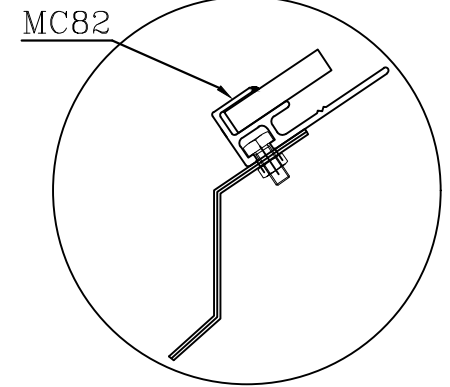
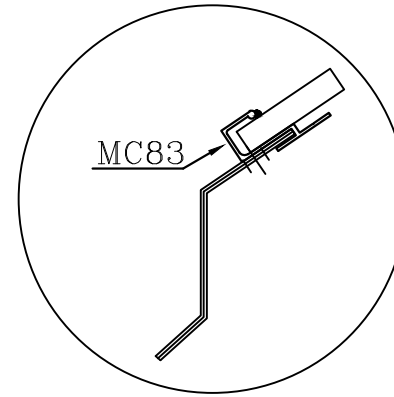
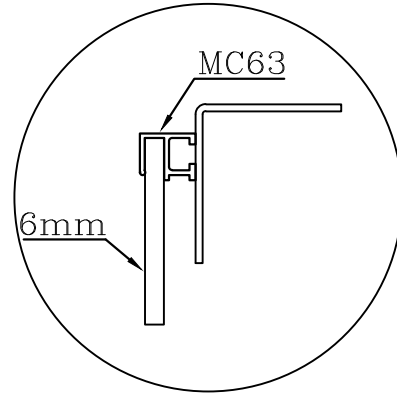
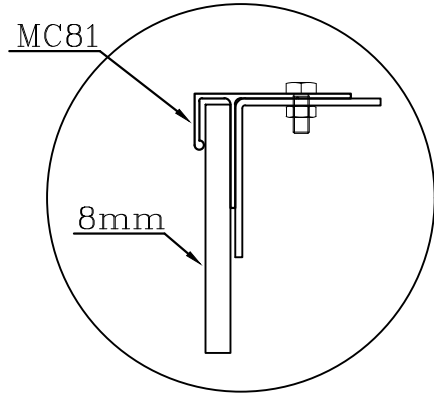
Itemref	Quantity	Title/Name, designation, material, dimension etc	Article No./Reference		
Designed by Forghani	Checked by rajabizadeh	Approved by - date Forghani - 94/3/3	Filename 94-1	Date 94/3/3	Scale 1: x



Tel: (+9821) 88333758,9 www.marsus.ir  
 Fax: (+9821) 88023071 Email: info@marsus.ir

PC Instalation (Profile)

701	Edition 1	Sheet 7/9
-----	-----------	-----------



End R side Gutter

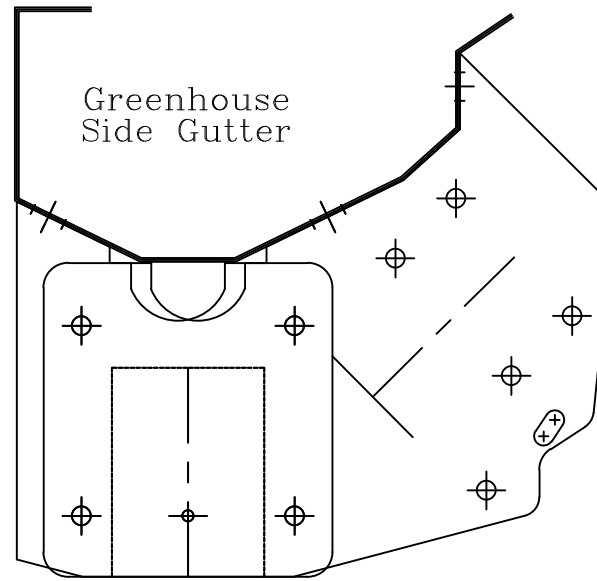
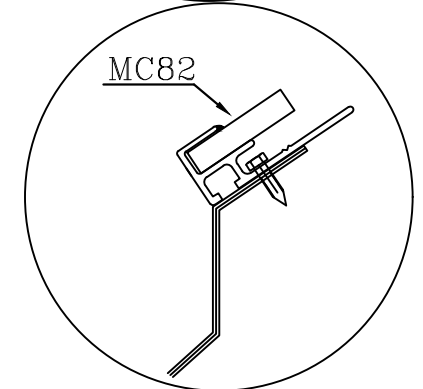
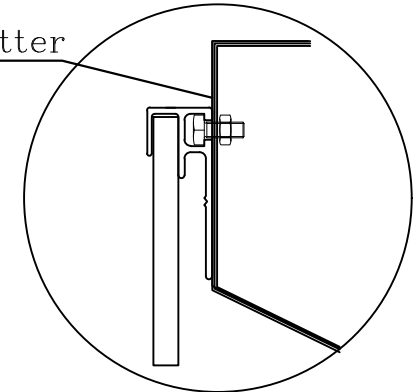


Figure 12

Itemref	Quantity	Title/Name, designation, material, dimension etc	Article No./Reference		
Designed by Forghani	Checked by rajabizadeh	Approved by - date Forghani - 94/3/3	Filename 94-1	Date 94/3/3	Scale 1: x



Tel:(+9821)88333758,9  
Fax:(+9821) 88023071

www.marsus.ir  
Email:info@marsus.ir

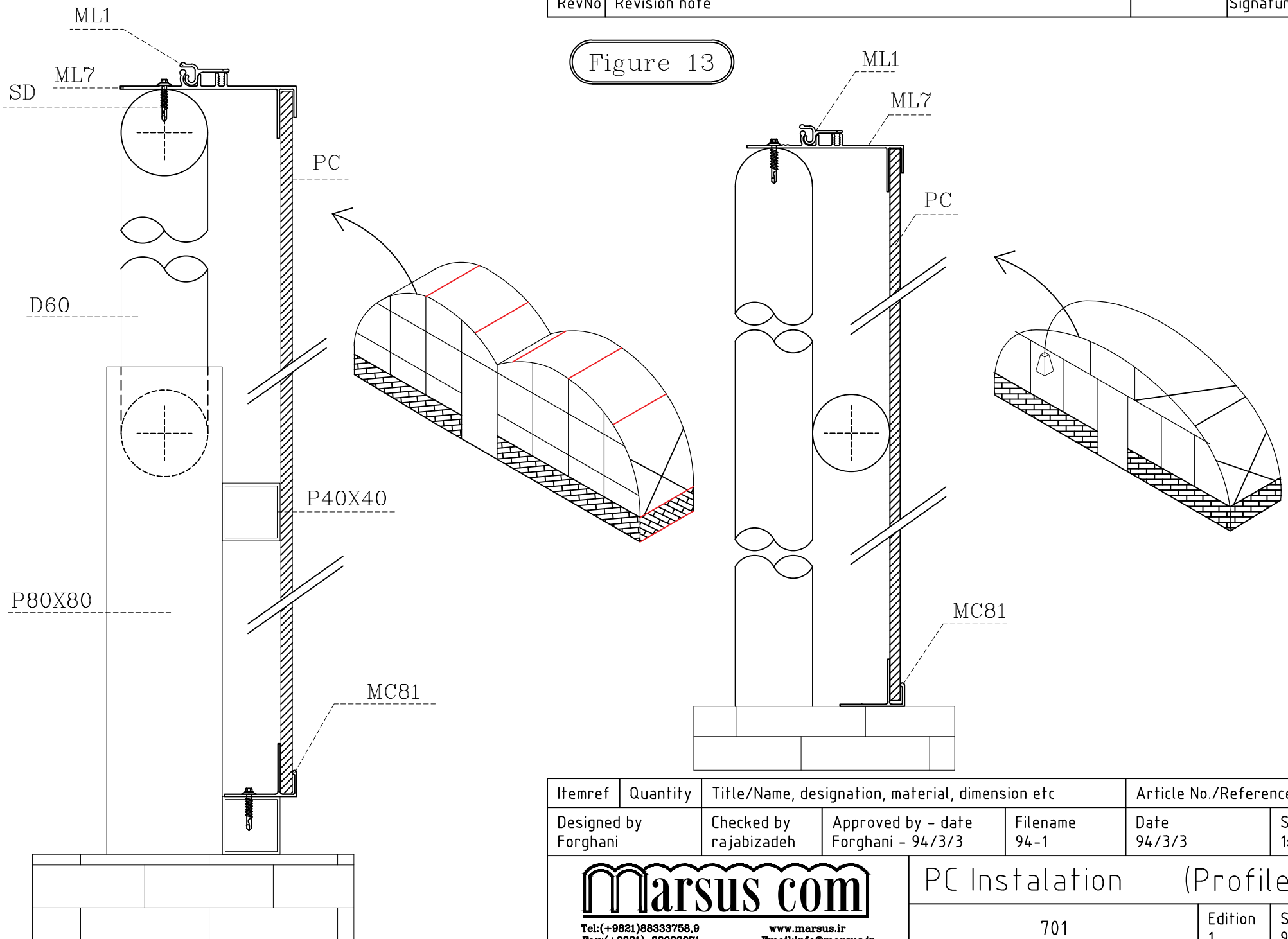
PC Instalation (Profile)

701

Edition 1  
Sheet 8/9



Figure 13



Itemref	Quantity	Title/Name, designation, material, dimension etc	Article No./Reference		
Designed by Forghani	Checked by rajabizadeh	Approved by - date Forghani - 94/3/3	Filename 94-1	Date 94/3/3	Scale 1: x



Tel:(+9821)88333758,9 www.marsus.ir  
 Fax:(+9821) 88023071 Email:info@marsus.ir

PC Instalation (Profile)

701	Edition 1	Sheet 9/9
-----	--------------	--------------