

FIGURE 1

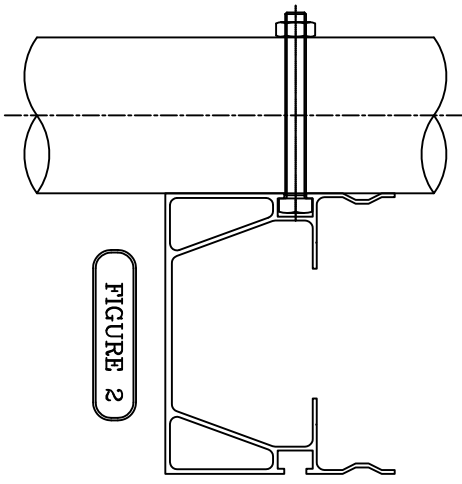


FIGURE 2

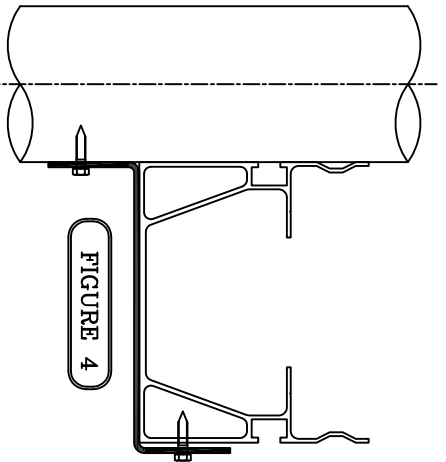


FIGURE 4

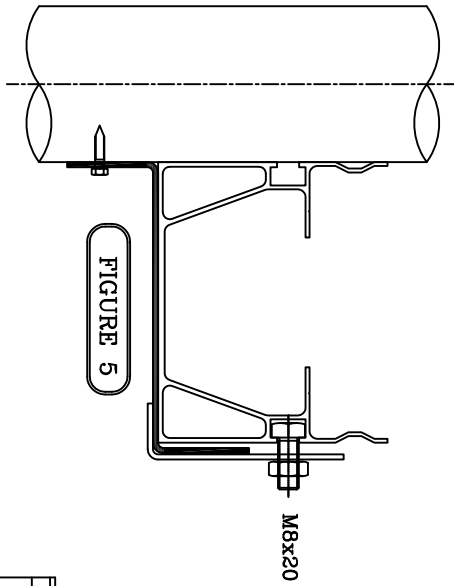


FIGURE 5

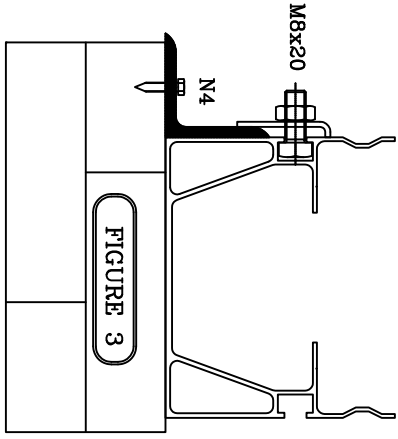


FIGURE 3

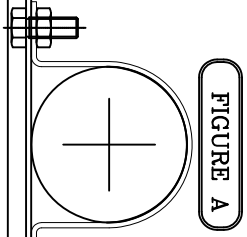
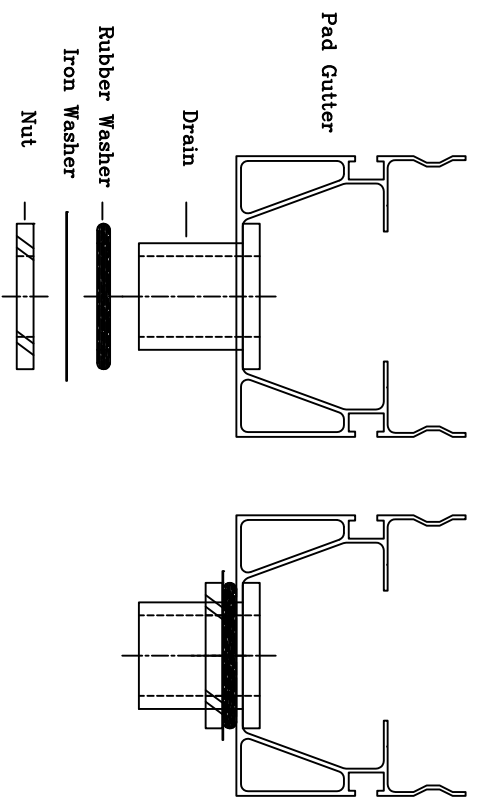


FIGURE A

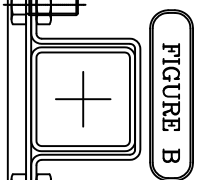


FIGURE B

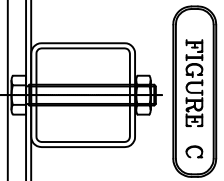
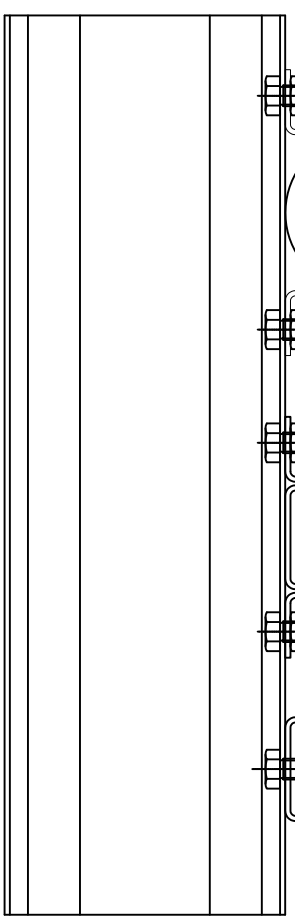


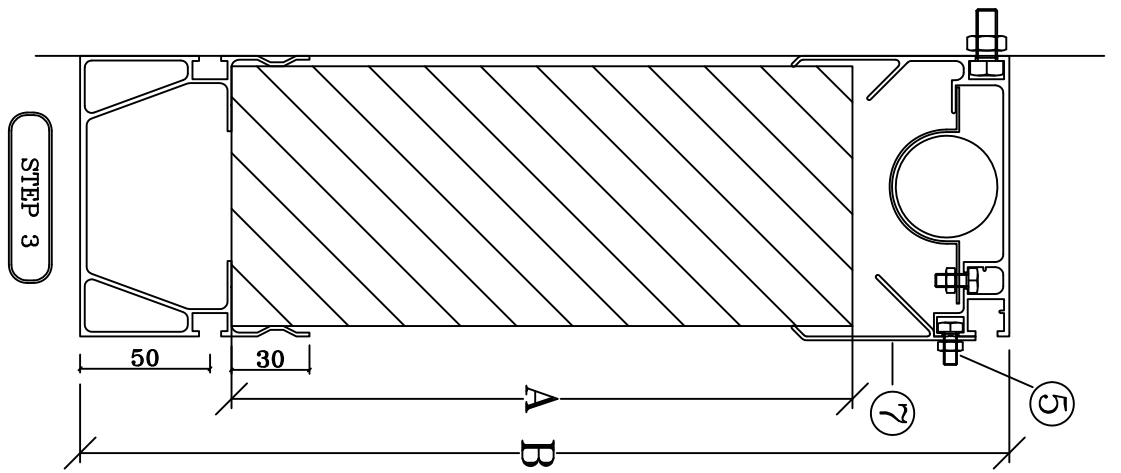
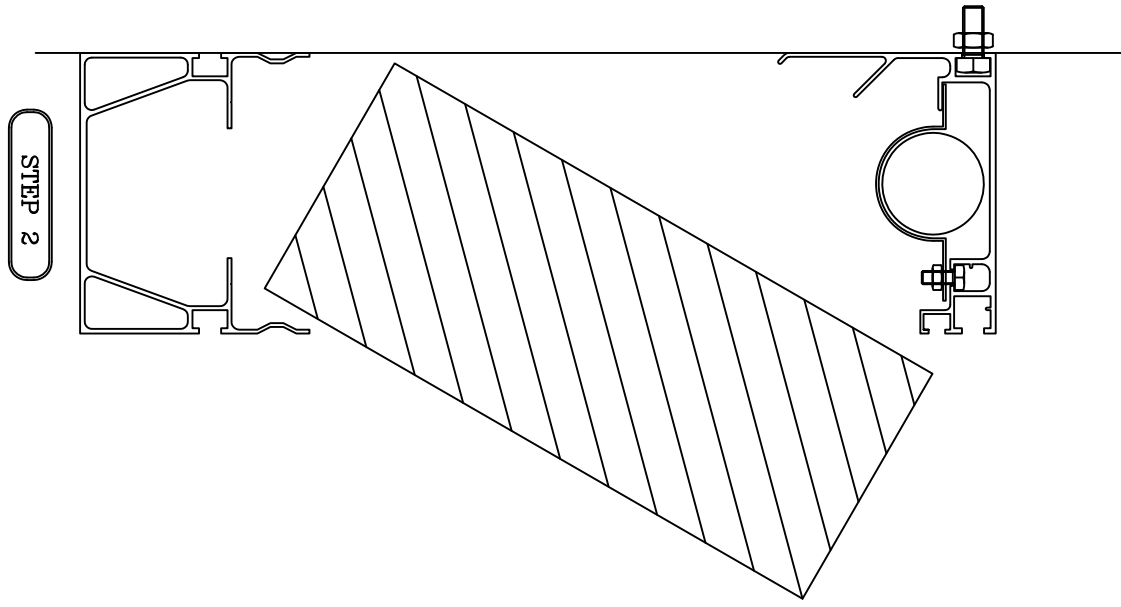
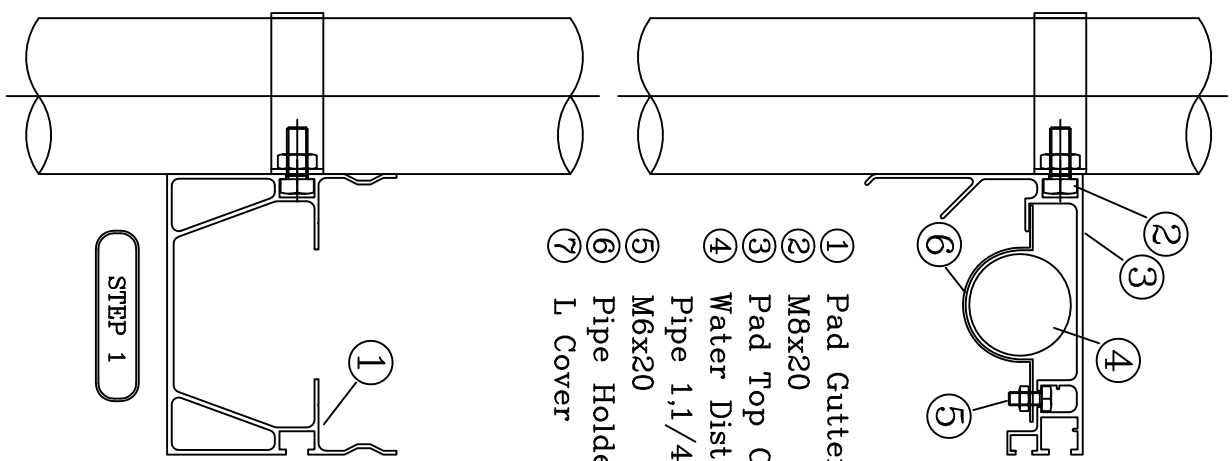
FIGURE C



Dimension: cm	Name	Date		
Scale:	Design Forghani	90/01/20		
	Draw	90/01/20	Tel : 86333756 ~ 9	P.O.Box : 13185-441 Fax : 89023071 Email: info@marsus.ir www.marsus.ir
	Check	90/01/20	Nasiri 90/01/20	



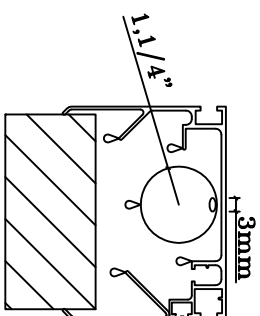
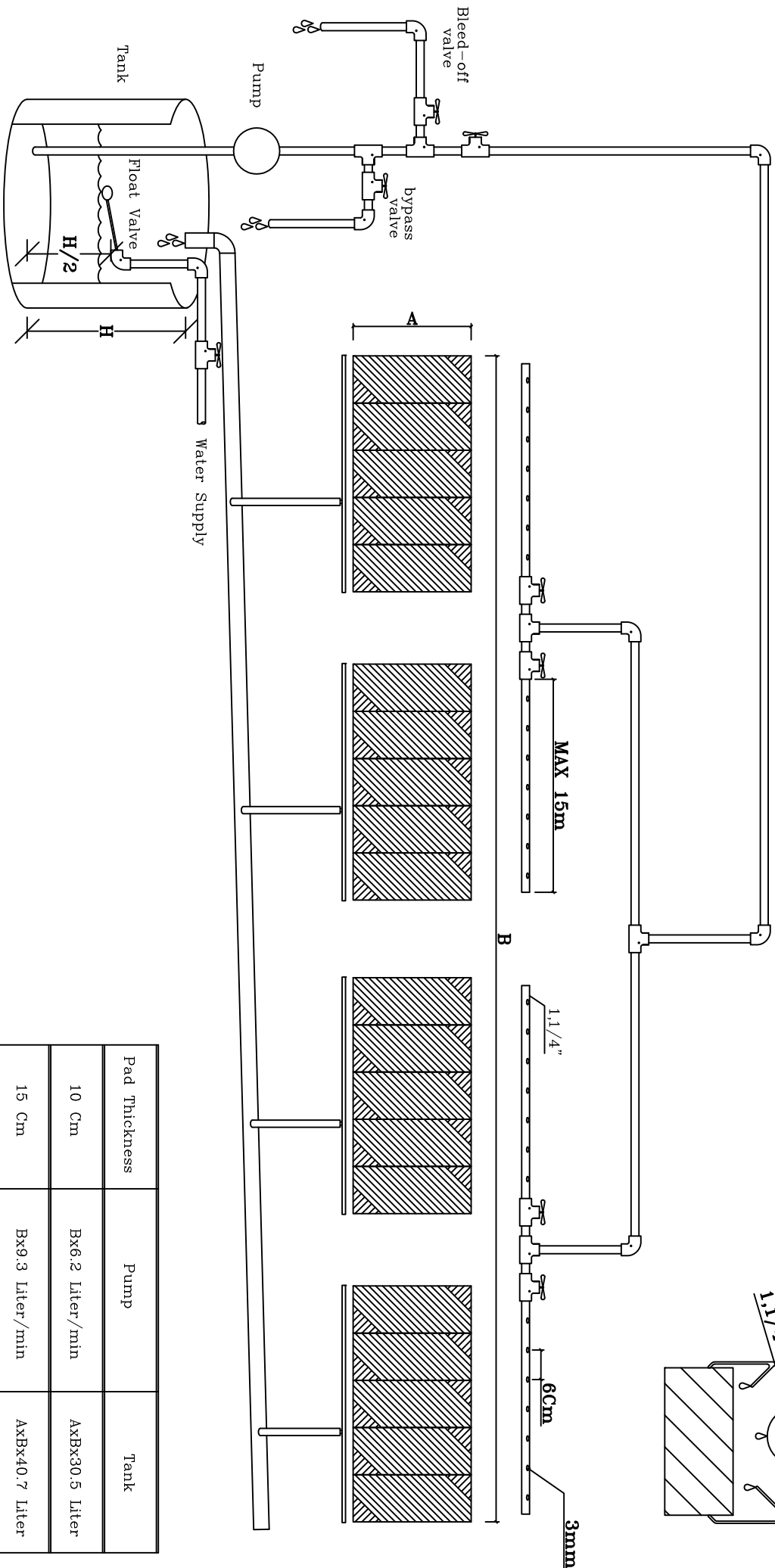
- ① Pad Gutter
- ② M8x20
- ③ Pad Top Cover
- ④ Water Distribution Pipe 1,1/4"
- ⑤ M6x20
- ⑥ Pipe Holder
- ⑦ L Cover



A : Pad height
 B : Frame height
 B = A + 13 cm

Dimension: mm		Name	Date
Scale:		Design Forghani	90/01/20
Draw		Nasiri	90/01/20
Check		Nasiri	90/01/20

		Tel : 86333756~9 Fax : 86023071 P.O.Box : 13185-441 Email: info@marsus.ir www.marsus.ir	



Pad Thickness	Pump	Tank
10 Cm	Bx6.2 Liter/min	AxBx30.5 Liter
15 Cm	Bx9.3 Liter/min	AxBx40.7 Liter

Dimension: cm	Name	Date	Marsus.com
Scale:	Design Forghani	90/01/20	
	Draw	90/01/20	Tel : 88333756~9 Fax : 88023071
	Check	90/01/20	P.O.Box : 13185-441
			Email: info@marsus.ir www.marsus.ir